

TGOR Value Series Recessed Wall CO/Refrigerant Sensor

High accuracy CO readings
0-5/10V/2 and 3-wire 4-20mA CO transmitter
Relay, LED and Audible alarms
Sleek & functional low-profile design



DESCRIPTION

Designed to maximize safety in work and school environments, the TGOR Value Series features a UL2034 recognized CO sensor or a factory-calibrated refrigerant sensor, audible buzzer, relay output and end-of-life indication. Choose the analog output that works best for each job.

APPLICATIONS

- Detect CO in indoor environments
- Detect refrigerant leaks in indoor environments, such as hotels
- Alert occupants of elevated gas levels
- Ventillation control
- Economizer control

FEATURES

Sleek and functional design

- Standard wall plate size fits most single gang junction boxes
- Flush-mount screw plugs for tamper-resistance
- Ideal for schools or hotels

Versatile Safety Features

- Audible buzzer alarm for local annunciation
- End-of-life indication for sensor element
- Buzzer test button for safety checks
- Relay output for alarm indication

Superior sensing

- UL2034 recognized electrochemical CO sensing element
- 7 year life expectancy on CO elements
- 10 year life expectancy on Refrigerant elements
- Calibration mode makes calibration quick and easy
- Gasket ensures excellent measurement accuracy

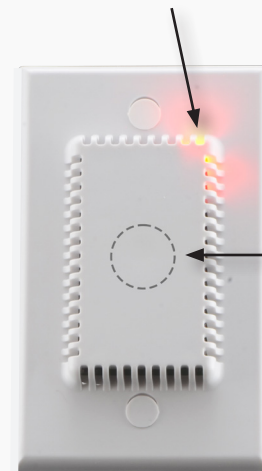
Industry-leading warranty

- 7-year limited warranty on electronics; sensor element 2 years



Warning and alarm LED

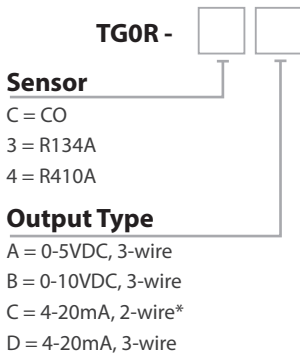
- Blinks for warning and alarm
- EOL indication



Capacitive Touch Silence Button

- No accidental presses
- Unattractive to vandals

ORDERING



* Option available for CO sensors only

Scan here to see refrigerant cross-sensitivities



CUSTOMIZATION

See "Value Customization Request Form" or call for a sample today!



CALIBRATION

Order with **CALKITHW-R** to receive calibration fitting and regulator.



SPECIFICATIONS

Power Supply	12-30VDC/24VAC ⁽¹⁾ , 24mA max	
Analog Outputs	Analog outputs	0-10V, 0-5V, 2-wire or 3-wire 4-20mA (selectable)
	CO output scaling	0-200ppm
	Refrigerant output scaling	0-1000ppm
Alarm Relay	Relay characteristics	N.C. 1A@24/30VDC (50/60Hz) (no mains connection)
	CO alarm setpoint	Activates above 30ppm for 1 hour or 70 ppm for 15 min
	Refrigerant alarm setpoint	Activates above 300ppm
LEDs	LED indicator CO	1 long blink above 30PPM, 1 short blink above 70 ppm
	LED indicator Refrigerant	1 long blink above 300PPM, 1 short blink above 600 ppm
	End-of-life Indicator	3 blinks at 30s intervals
Audible Alarm	Audible Buzzer CO	Activates above 30ppm for 1 hour or 70 ppm for 15 min
	Audible Buzzer Refrigerant	Activates above 300ppm for 1 hour or 600 ppm for 15 min
	Buzzer level	82 dB
CO Sensor Performance	Alarm Test	Hidden button provided for buzzer test
	Type	Electrochemical
	Accuracy	±5%
	Resolution	1ppm
	Certifications	UL2034 Listed Component
	Life expectancy	>7 years
	Coverage Area	5000-7500 square feet
Calibration Interval	Annually, hold test button for 10s to enter cal mode	
Refrigerant Sensor Performance	Type	MOS
	Resolution	1ppm
	Life expectancy	>10 years (typical life expectancy of MOS sensors)
	Calibration ⁽²⁾	Calibrated to selected refrigerant
	Sensitivity of R134A calibrated device	@300ppm test gas: 450ppm R410A, 425 ppm R407C, 400ppm R404A, 370ppm R22, 300ppm R134A
	Other detectable gases ⁽³⁾	R407A, R407F, R427A, R452B, R507, R448A, R449A, R422A, R422D, R452A, R513A, R514A, R32
Coverage Area	5000-7500 square feet	
Calibration Interval	6 months, hold test button for 10s to enter cal mode	
Operating Environment	Humidity	15-95% continuous, 0-95% intermittent
	Max Elevation	2000m
Enclosure	Dimensions	4.45"h x 2.7"w x 0.5"d (depth measured from wall)
	Unit Temp Rating	-4 to 122°F (-20 to 50°C)
Compliance	CE, RoHS	

(1) One side of transformer, secondary is connected to signal common. Dedicated transformer is recommended. 15-30VDC/24VAC power supply voltage required for 10 volt output.

(2) R134A sensor is factory calibrated to R134A gas but may be used as a general purpose refrigerant sensor. Sensitivity to some other gases can be found at Senva.com (see QR code on left). Actual response may vary depending on installation. For more accurate response to a specific gas, a unit may be field calibrated.

(3) These gases may be detected by the sensor but sensitivity curves are not available at this time.



Warning: Refer to installation instructions that accompany product and heed all safety instructions.